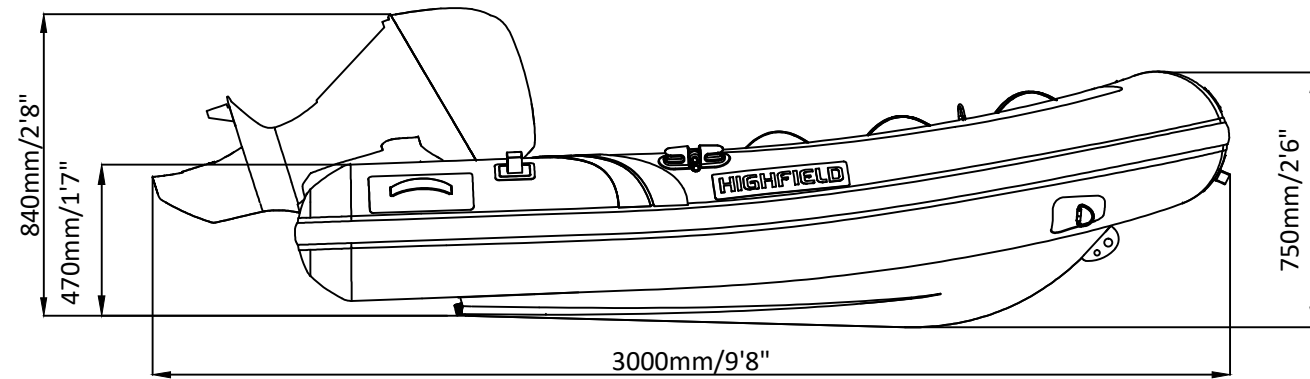
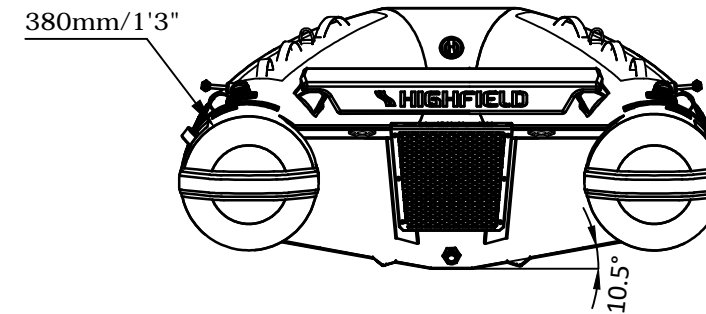


ULTRALITE 260

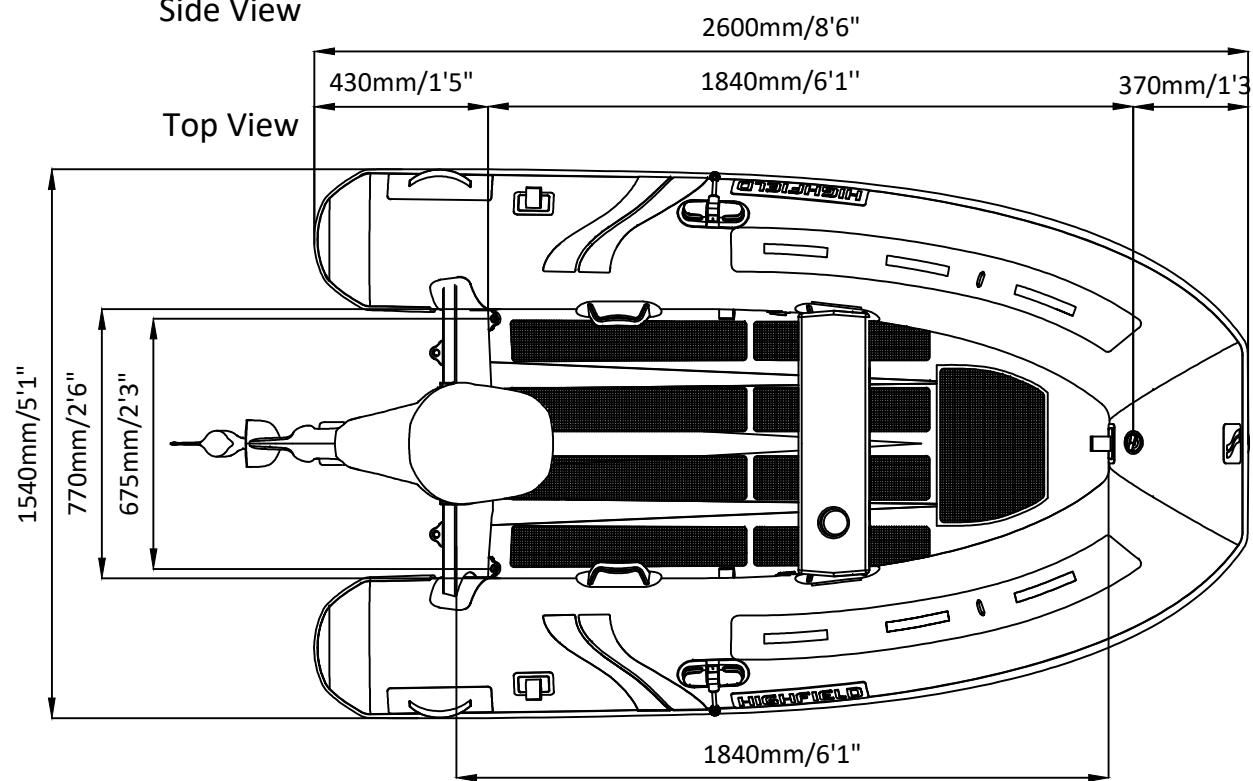
SPECIFICATIONS



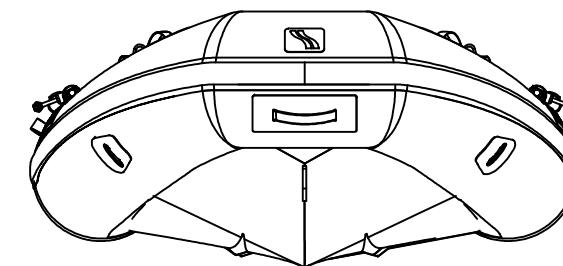
Side View



Rear View




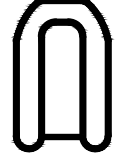





Top View



Front View

SPECIFICATIONS AND MAXIMUM CAPACITIES (Subject to change without notice. Tolerances: Dimensions ±2.5% Weight ±5%)

MODEL	ISO 6185 PART	ISO 6185			#			 Outboard Engine			Molded seat	Oar		Fuel tank Capacity	Rollbar		Wet Weight (Approximate)  6HP (4.48KW) +Fuel		AIR CHAMBERS 							
			KG	LB		KG	LB		KG	LB		KG	LB		KG	LB	KG	LB		KG	LB	KG	LB	PSI	BAR	
UL260	2	C	340	750	3+1	263	579	S	4.48	6	40.9	90	32	70	2.5	5.5	2	4.4	/	/	/	92.4	203.7	3	3.63	0.25

Weight: Boat only, not including molded seat, oars and other accessories.