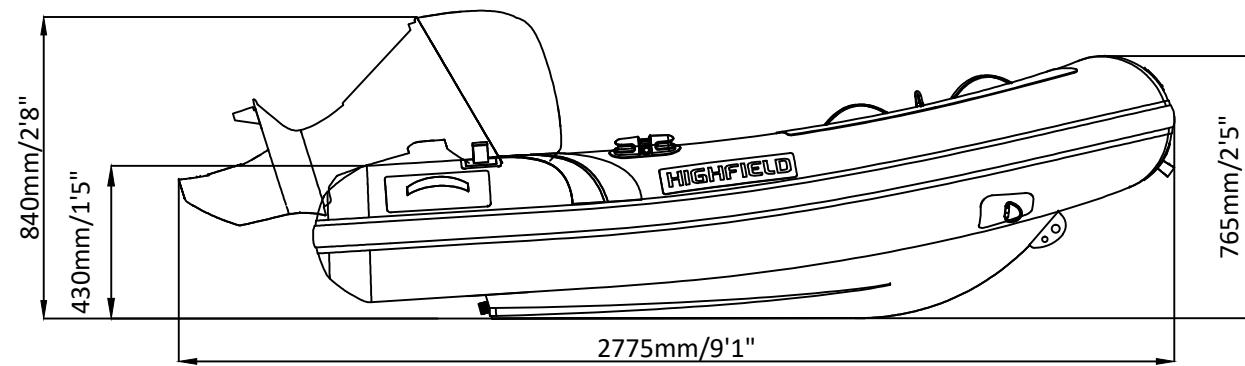
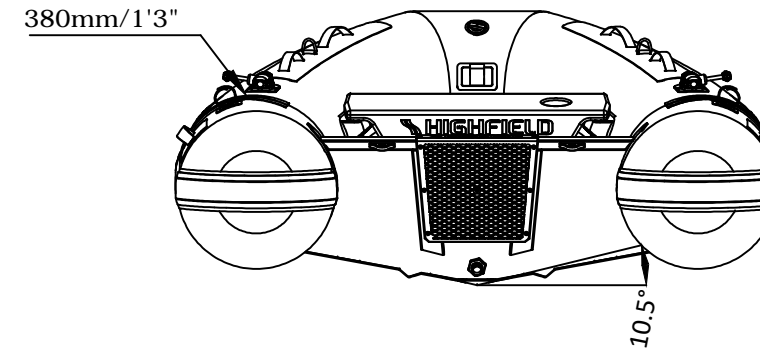


# ULTRALITE 240

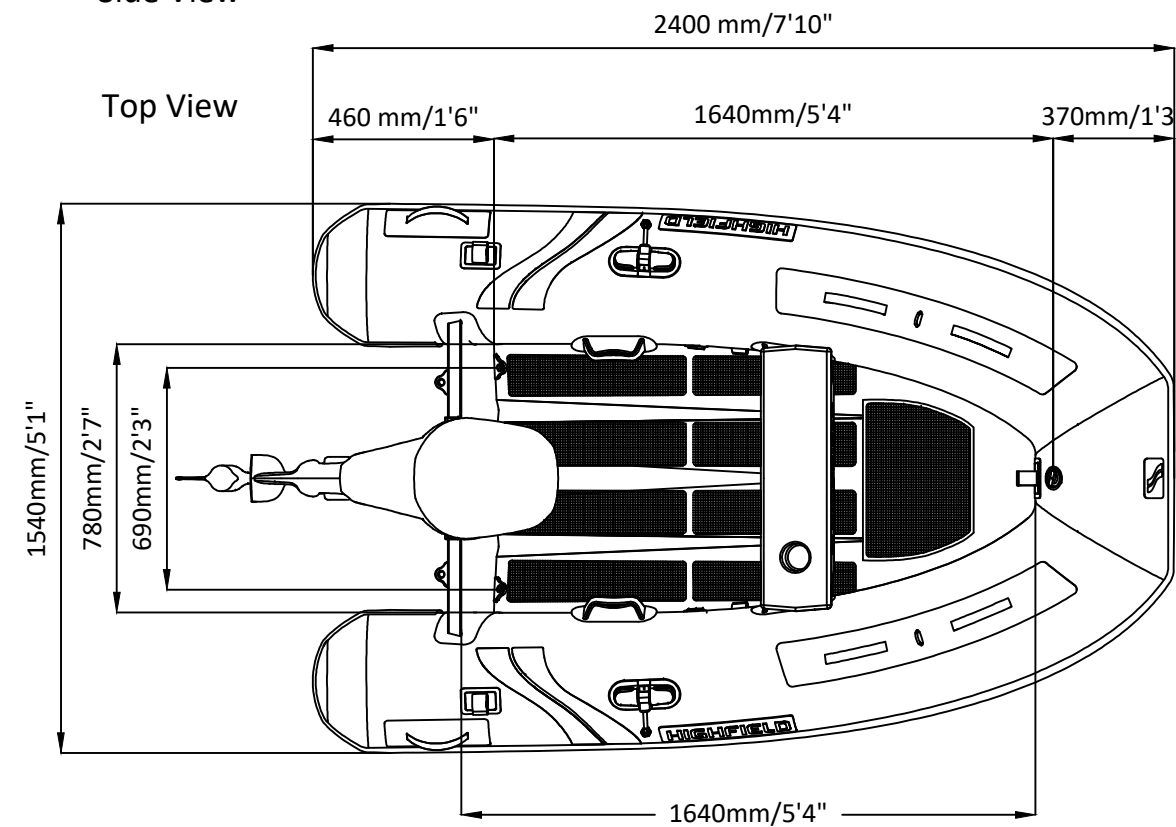
# SPECIFICATIONS



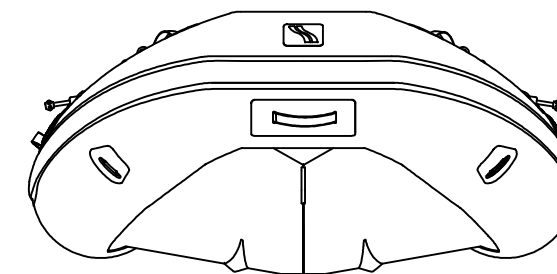
Side View



Rear View




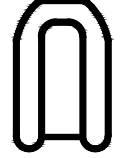




Top View



Front View

SPECIFICATIONS AND MAXIMUM CAPACITIES (Subject to change without notice. Tolerances: Dimensions ±2.5% Weight ±5%)

MODEL	ISO 6185 PART	ISO 6185			#			 Outboard Engine		Molded seat		Oar		Fuel tank Capacity	Rollbar		Wet Weight (Approximate)  6HP (4.48KW) +Fuel		AIR CHAMBERS								
			KG	LB		KG	LB			KG	LB	KG	LB		L	KG	LB	KG		LB	PSI	BAR					
UL240	/	/	290	639	3	225	496	S		4.48	6	40.9	90	30	66	2.5	5.5	2	4.4	/	/	/	90.4	199	3	3.63	0.25

Weight: Boat only, not including molded seat, oars and other accessories.