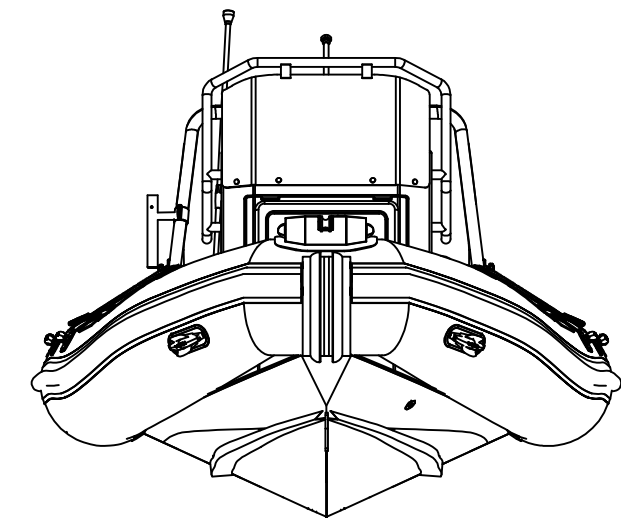
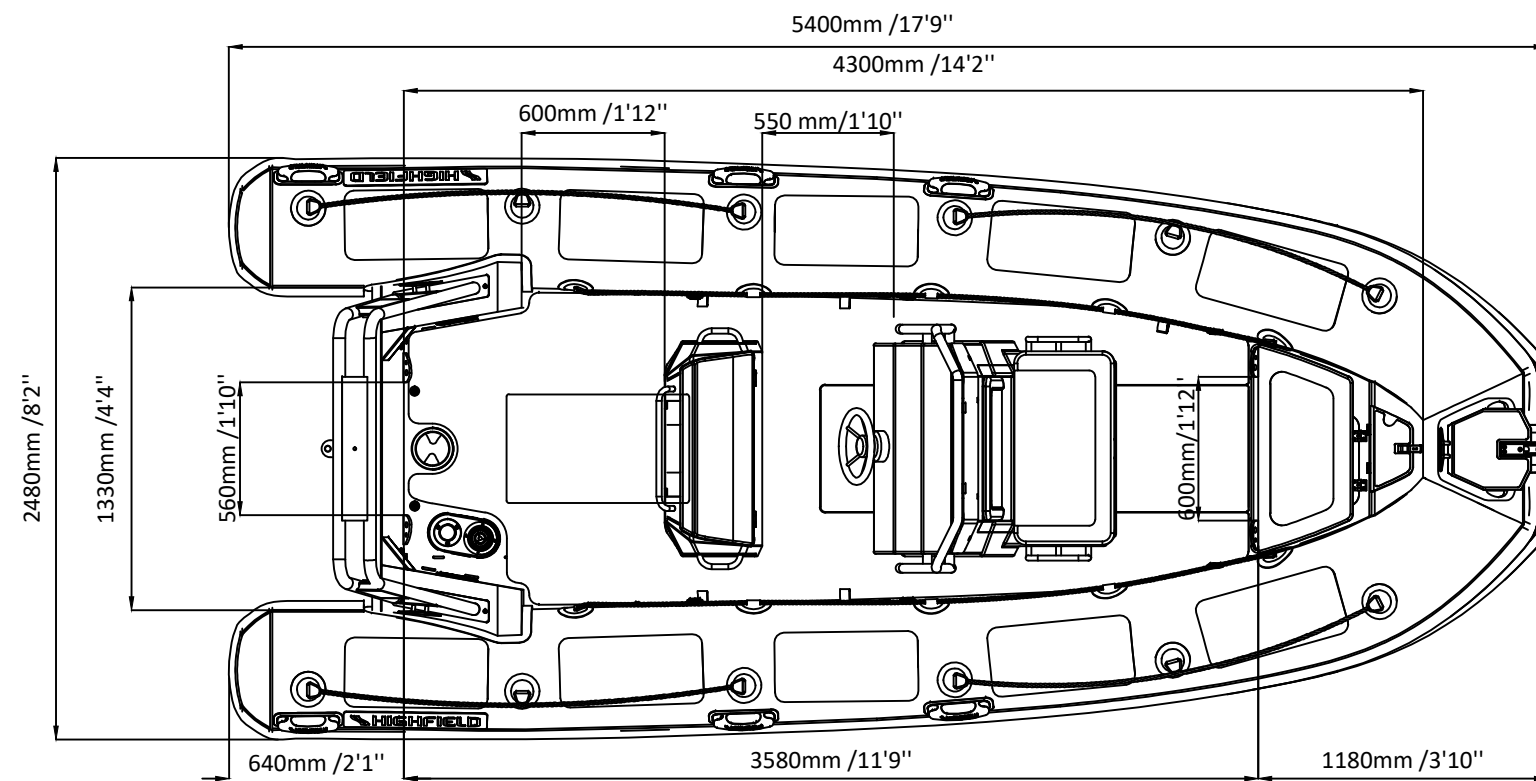
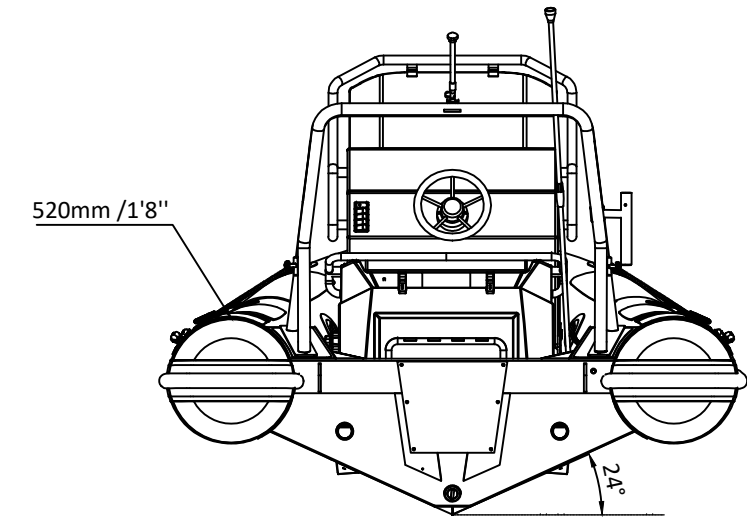
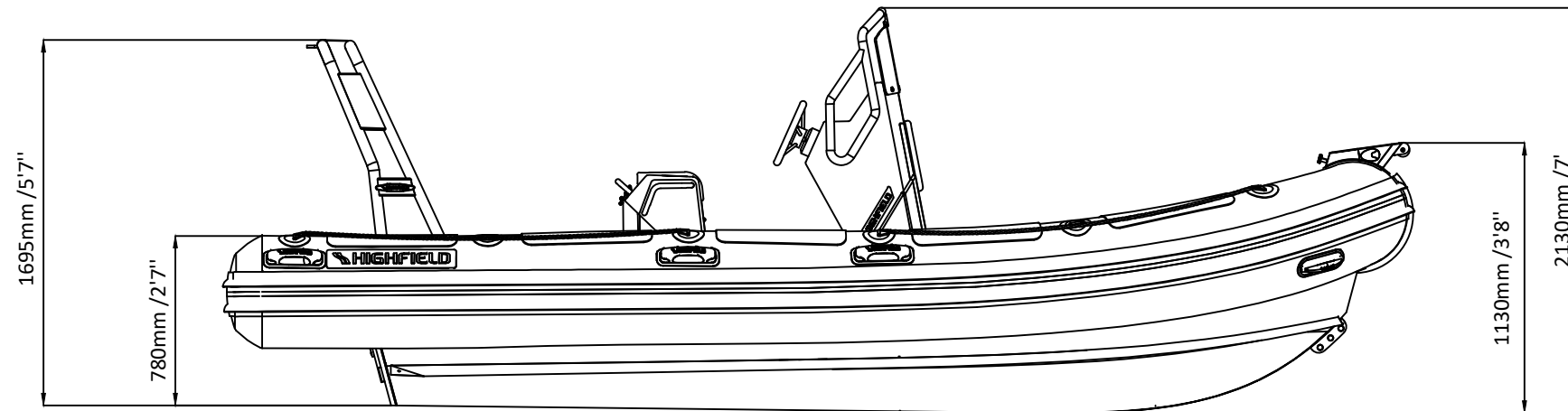


# PATROL 540

# SPECIFICATIONS



SPECIFICATIONS AND MAXIMUM CAPACITIES (Subject to change without notice. Tolerances: Dimensions ±2.5% Weight ±5%)

MODEL	ISO 6185 PART	ISO 6185	Crew		#	Weight		Shaft	Outboard Engine		Sundeck		Fuel tank Capacity		Tow post		Rollbar		Wet Weight (Approximate) 115HP (85.79KW) +Fuel		AIR CHAMBERS	Pressure					
			KG	LB		KG	LB		KG	LB	KG	LB	KG	LB	KG	LB	KG	LB	KG	LB		PSI	BAR				
PA540	3	C	1262	2782	12	900	1989	L	85.79	115	258.6	570	494	1089	/	/	105	27.7	/	/	15.1	32	828.7	1827	6	3.63	0.25

Boat weight includes: console, seat, rollbar