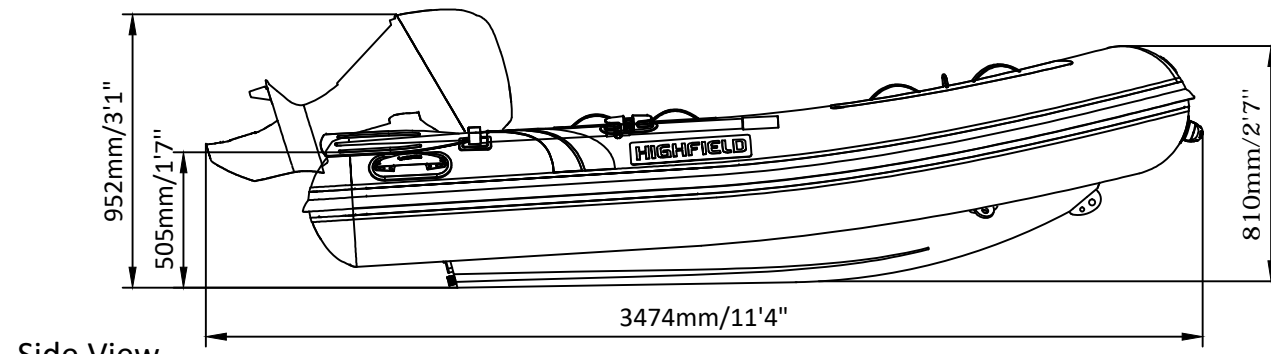
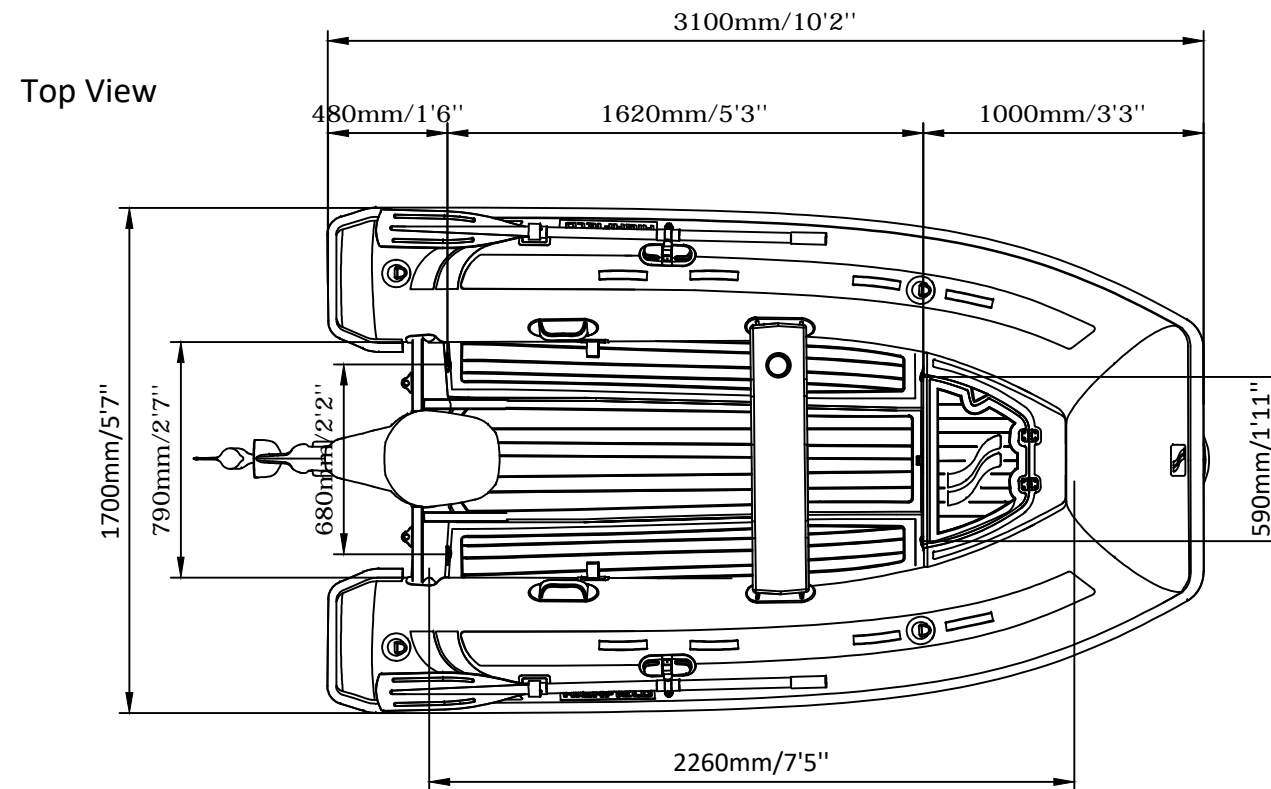


# CLASSIC 310

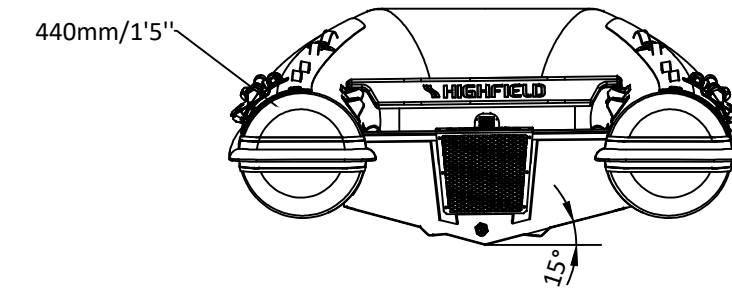
# SPECIFICATIONS



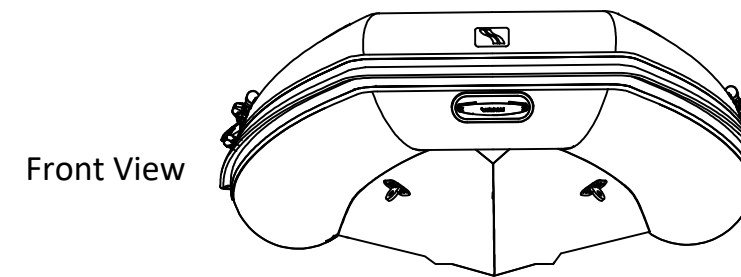
Side View



Top View



Rear View



Front View

SPECIFICATIONS AND MAXIMUM CAPACITIES (Subject to change without notice. Tolerances: Dimensions ±2.5% Weight ±5%)

MODEL	ISO 6185 PART	ISO 6185	Passengers		#	Weight		Shaft	Outboard Engine		Molded seat		Oar		Fuel tank Capacity		Rollbar		Wet Weight (Approximate) 20HP (14.92KW)		AIR CHAMBERS	Pressure					
			KG	LB		KG	LB		KG	LB	KG	LB	KG	LB	KG	LB	KG	LB	KG	LB		PSI	BAR				
CL310	2	C	550	1213	5	375	827	S	14.92	20	104.5	230	62	136	3	6.6	2	4.4	/	/	/	/	166.5	366	3	3.63	0.25

Weight: Boat only, not including molded seat, oars and other accessories.