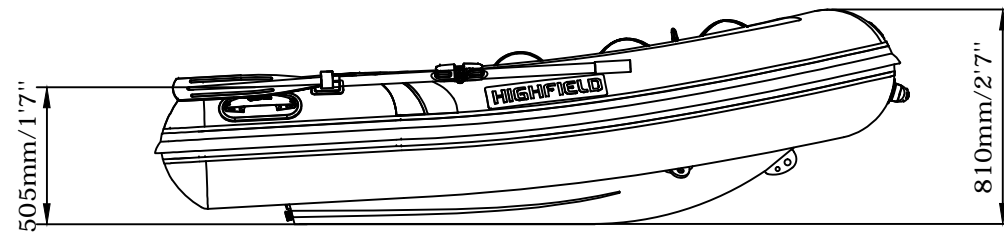
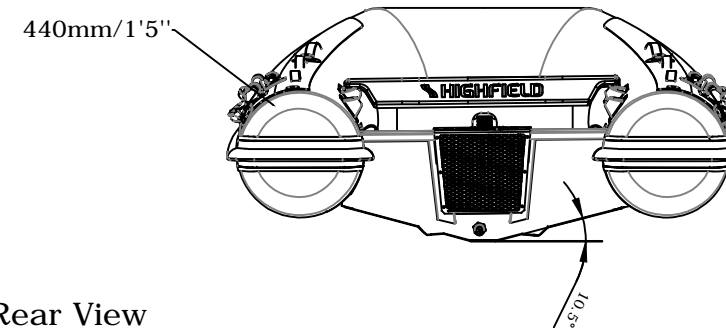


CLASSIC 260

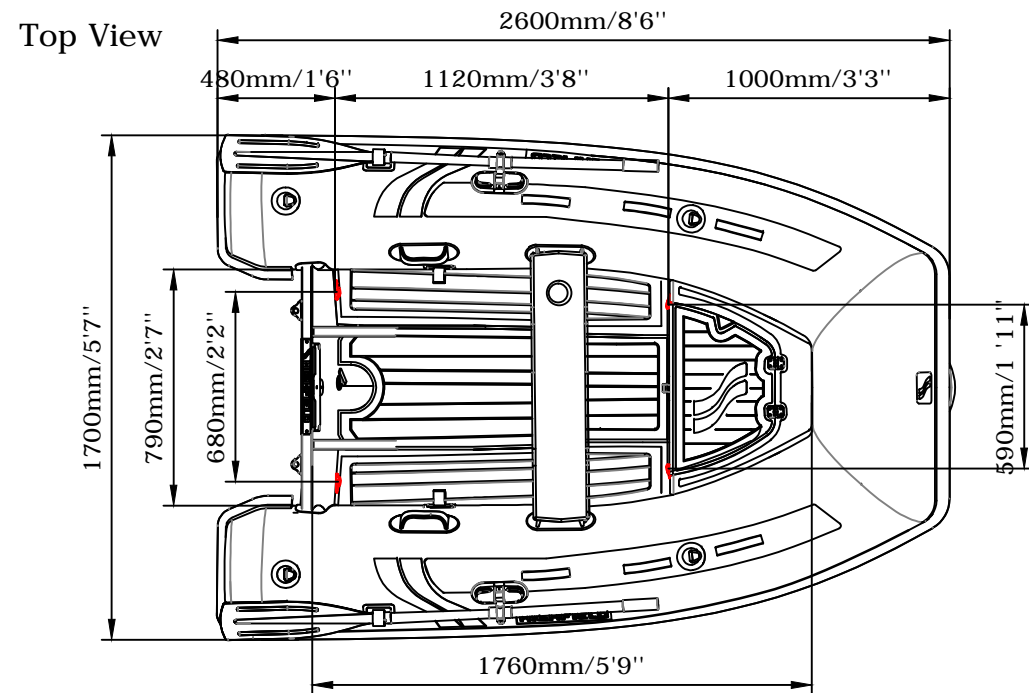
SPECIFICATIONS



Side View

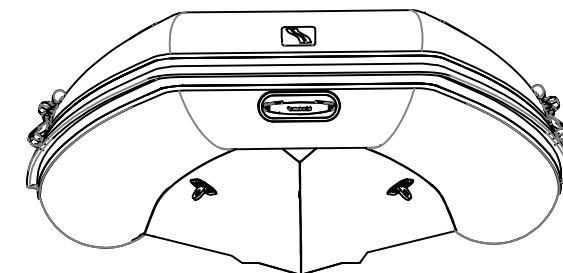


Rear View



Top View

Front View



SPECIFICATIONS AND MAXIMUM CAPACITIES (Subject to change without notice. Tolerances: Dimensions +/-3% Weight +/-5%)

MODEL	ISO 6185 PART	ISO 6185																	AIR CHAMBERS					
			KG	LB	#	KG	LB	Length	KG	LB	Maximum		Recommended		Maximum Speed			KG		LB	Wet Weight (Approximate) 10HP (7.46KW) +Fuel	PSI	BAR	
			KG	LB	KW	HP	KW		HP	KT	MPH	Km/h												
CL260	2	C	360	794	3+1	225	496	S	60	132	7.46	10	7.46	10	/	/	/	58	128	125.3	276.2	3	3.63	0.25